

## AA4I45H

**STANDARD MATERIALS AND CONSTRUCTION**

**FRAME:** .081" thk. (nominal) extruded aluminum, 6063-T52/T6 alloy.

**BLADE:** .081" thk. (nominal) extruded aluminum, 6063-T52/T6 alloy. Blades are approximately 4" on centers.

**LOUVER FACE:** Full width sill with drain head and non-drain insulated airfoil blades contained within jambs.

**BEARINGS:** Celcon bearing materials so that there will be no metal to metal friction.

**LINKAGE:** Extruded aluminum, concealed in the channel out of the airstream. Pivots are .50" dia. machined steel. Plated steel pivots rotate in a Celcon bearing. A 5/16" dia. aluminum linkage rod is locked to the pivot by a 1/4 - 20 set screw with epoxy locking patch.

**SHAFTS:** 1/2" dia aluminum "Pin-Lock" rod.

**SEALS:** Extruded silicone rubber seals at blade edge. Polycarbonate at jambs.

**SCREEN:** (When indicated, in a removable frame)

1/2" flattened aluminum, .051" thk.,

-or- 1/2" sq. mesh intermediate double crimped aluminum wire, .063" dia.,

-or- 19/16" aluminum mesh insect screen, .011" dia.

**FINISH:** Mill.

**OPTIONS**

Finishes - Enamels, Epoxies, etc.

Other screens are available.

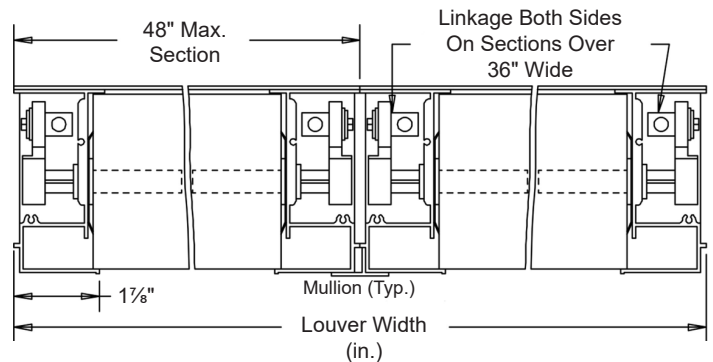
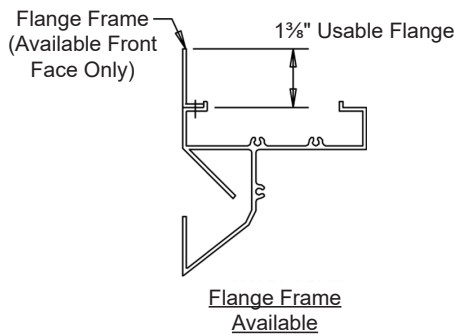
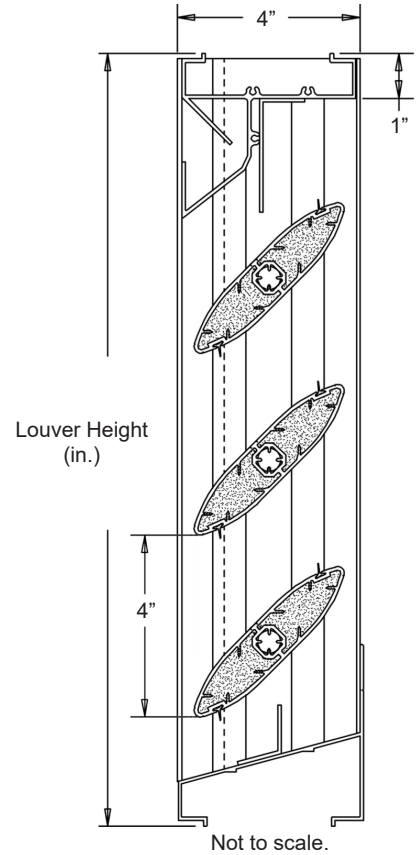
Actuators - Electric, Pneumatic, Manual, etc.

**NOTES**

1. Nominal deductions will be made to the opening sizes given.
2. Approximate shipping weight is 7.0 lbs./sq.ft.

**LOUVER SIZES**

Min Panel	Max Single Panel
12"W x 12"H	48"W x 96"H



In the interest of product development, Airline Louvers reserves the right to make changes without notice.

Item #	Qty	Width	Height	Width	Height	Mullion	Type	Location	Union Made
		Opening Size		Louver Size			Screens		
Arch. / Eng. :						EDR:	ECN:	Job:	
Contractor:									
Project:						Date:	DWN:	DWG:	

1020 Prince Frederick Blvd. Suite 305 • Prince Frederick, MD 20687 • Phone: (570) 420-7079 • Fax: (570) 420-7078



# AA4I45H

**FREE AREA TABLE**

		Free Area (sq. ft.)						
		Width (in.)						
		12"	18"	24"	30"	36"	42"	48"
Height (in.)	12"	.13	.22	.31	.40	.49	.59	.68
	24"	.46	.79	1.13	1.46	1.80	2.13	2.46
	36"	.79	1.37	1.95	2.52	3.10	3.67	4.25
	48"	1.13	1.94	2.76	3.58	4.40	5.22	6.04
	60"	1.46	2.52	3.58	4.64	5.70	6.76	7.82
	72"	1.79	3.10	4.40	5.70	7.01	8.31	9.61
	84"	2.13	3.67	5.22	6.76	8.31	9.85	11.40
	96"	2.46	4.25	6.03	7.82	9.61	11.40	13.19